



FT SERIES

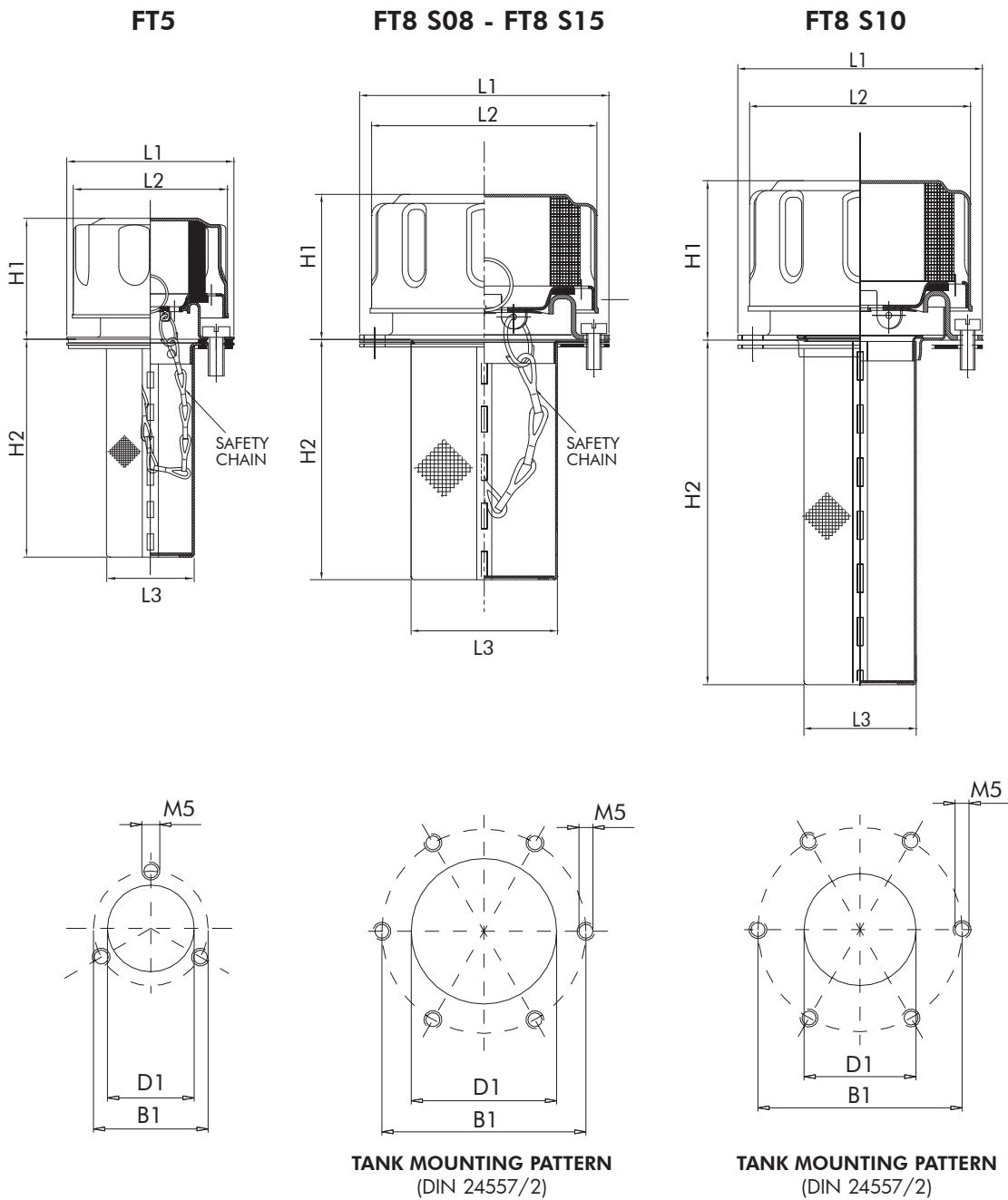
Filler breathers with flange or welding mounting

TECHNICAL INFORMATION

MATERIALS:	Cover: chrome plated steel Basket: zinc plated steel Flange: zinc plated steel Gaskets: NBR
FILTER MEDIA:	Polyurethane (air filtration 3 μ m e10 μ m)
PRESSURIZATION VALVE:	0,35 or 0,75 bar (for FT8 only)

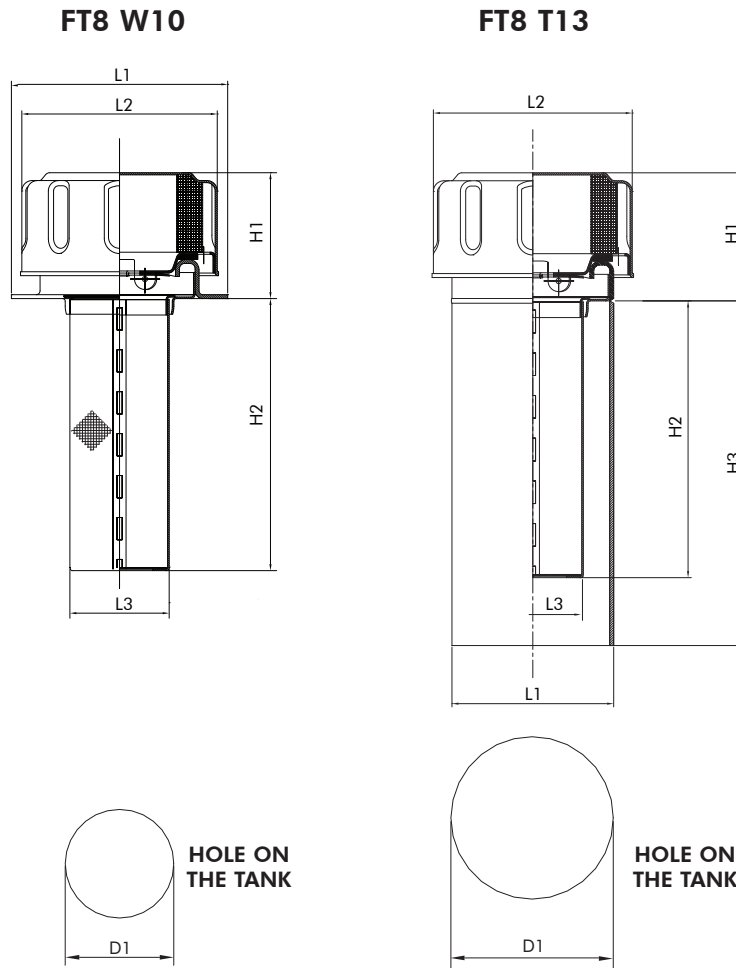
ORDERING INFORMATION

	1.	2.	3.	4.	5.	6.	7.
	FT	8	F03	B	S08	0	L
1. SERIES	FT						
2. SIZE	5	cover Ø48					
	8	cover Ø75					
3. FILTER MEDIA	F03	polyurethane (air filtration 3 μ m)					
	F10	polyurethane (air filtration 10 μ m)					
4. GASKETS	B	NBR					
5. MOUNTING TYPE	---	FT5 only					
	S08	flange, basket h = 80 mm					
	S15	flange, basket h = 150 mm					
	S10	flange, removable basket					
	W10	welding flange					
	T13	with antisplash tube					
6. PRESSURIZATION VALVE	0	no valve					
	1	0,35 bar					FT8 ONLY
	2	0,75 bar					FT8 ONLY
7. PADLOCK HOLDER	0	without padlock holder					
	L	with padlock holder					FT8 ONLY

OVERALL DIMENSIONS

NOMINAL SIZE

CODE	B1	D1	H1	H2	L1	L2	L3	AIR FLOW RATE Nm^3/min Dp 0,015 barg	
								F03	F10
FT5	41	31	37	67	52	48	27,5	200	250
FT8 S8				80					
FT8 S15	71÷73	52	50	150	83	75	50	450	550
FT8 S10		40		105			38		

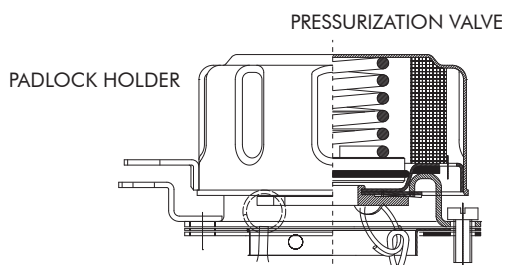
OVERALL DIMENSIONS



NOMINAL SIZE

CODE	D1	H1	H2	H3	L1	L2	L3	AIR FLOW RATE NI/min Dp 0,015 barg	
								F03	F10
FT8 W10	40	50	105	---	83	75	38	200	250
FT8 T13	62			130	60			450	550

OPTIONS



On request, FT7 and FT8 can be supplied with some option:

- PRESSURIZATION VALVE
- PADLOCK HOLDER (FT8 only)



FT6 & FT7 SERIES

Air breather filters

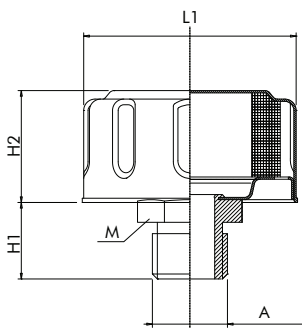
TECHNICAL INFORMATION

MATERIALS:	Cover: chrome plated steel Threaded connection: zinc plated steel
FILTER MEDIA:	Polyurethane (air filtration 3 μm and 10 μm)
PRESSURIZATION VALVE:	0,35 or 0,75 bar (for FT7 only)

ORDERING INFORMATION

	1.	2.	3.	4.	5.
	FT	7	F03	B4	1
1. SERIES	FT				
2. SIZE	6	cover $\varnothing 48$			
	7	cover $\varnothing 75$			
3. FILTER MEDIA	F03	polyurethane (air filtration 3 μm)			
	F10	polyurethane (air filtration 10 μm)			
4. CONNECTION	B1	G 1/4"		FT6	
	B2	G 3/8"			
	B3	G 1/2"		FT6 - FT7	
	B4	G 3/4"		FT7	
5. PRESSURIZATION VALVE	0	no valve			
	1	0,35 bar			FT7 ONLY
	2	0,75 bar			

OVERALL DIMENSIONS



NOMINAL SIZE

CODE	A	H1	H2	L1	M	AIR FLOW RATE NI/min Dp 0,015 barg	
FT6...B1	G 1/4"	27	31	48	22	250	250
FT6...B2	G 3/8"				24		
FT6...B3	G 1/2"	35,5	75	75	27	450	550
FT7...B3	G 1/2"				32		
FT7...B4	G 3/4"				32		