



EW SERIES

Electrical differential indicators with cable and connector with and without thermostatic switch set at 30°C



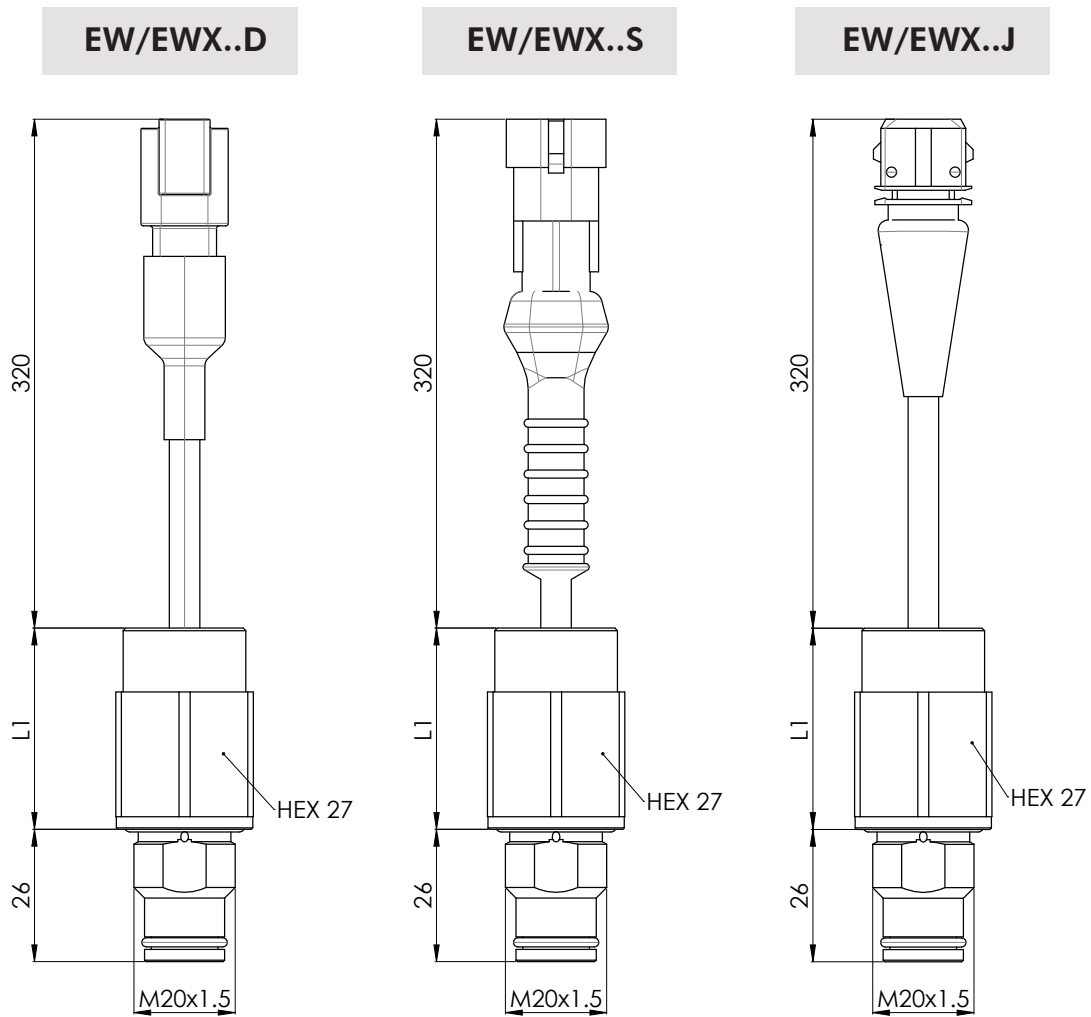
EW
EWX..D

EW
EWX..S

EW
EWX..J

PRESSURE:	Max operating up to 420 bar
CONNECTION:	M20x1,5
MATERIALS:	Body: Brass Cover and connector: PA66 + G.F. Seal: HNBR standard
SETTINGS ΔP :	2,7 bar \pm 10% 5,0 bar \pm 10% 8,0 bar \pm 10%
ELECTRICAL SPECS.:	Contact configuration N.O./N.C.
CONNECTOR TYPE:	Deutsch DT04-2P SUPERSEAL 1.5 2 WAY JUNIOR POWER TIMER 2 WAY
DEGREE OF PROTECTION:	IP67 according to EN60529
OPERATING TEMPERATURE:	-30°C - + 80°C
FLUID COMPATIBILITY:	Full with HH-HL-HM-HV-HETG-HEES-HFA HFB-HFC (acc. to ISO 6743/4). For use with other fluid please contact Filtrec Customer Service (info@filtrec.it).

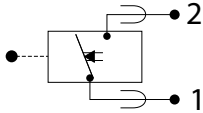
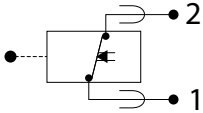
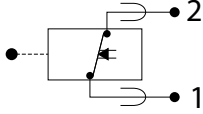
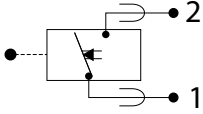
OVERALL DIMENSIONS



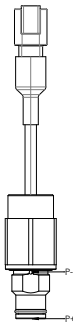
**L1: 49 WITH THERMOSTAT
40 WITHOUT THERMOSTAT**

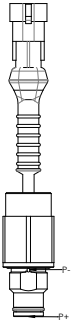
Weight: ~240g

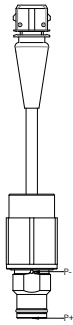
MECHANICAL CONDITION


ΔP CONDITION	ELECTRIC SYMBOL N.O.	ELECTRIC SYMBOL N.C.
$P+ - P- < \Delta P_{set}$		
$P+ - P- \geq \Delta P_{set}$		

ORDERING INFORMATION / DETAILS
INDICATOR FOR APPLICATION ON SUCTION LINE

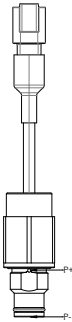
ORDER CODE	MODEL	CONN	VIEW	SETTING	ELECTRICAL SPECS.
04.006.00411	EW02DA0	N.O.	Deutsch DT04-2P	2,7 bar	<ul style="list-style-type: none"> • Max switching voltage: 48VDC • Max current: 5A resistive 2A inductive • Protection: IP67 EN60529
04.006.00412	EW02DAT				
04.006.00413	EW02DC0	N.C.	5,0 bar		
04.006.00564	EW05DA0				
04.006.00416	EW05DAT	N.O.	8,0 bar		
04.006.00417	EW05DC0				
04.006.00419	EW08DA0	N.O.			
04.006.00420	EW08DAT				
04.006.00421	EW08DC0	N.C.			

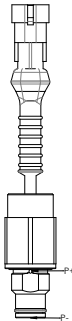
ORDER CODE	MODEL	CONN	VIEW	SETTING	ELECTRICAL SPECS.
04.006.00399	EW02SA0	N.O.	Superseal 1.5 2 Way	2,7 bar	<ul style="list-style-type: none"> • Max switching voltage: 48VDC • Max current: 5A resistive 2A inductive • Protection: IP67 EN60529
04.006.00400	EW02SAT				
04.006.00401	EW02SC0	N.C.	5,0 bar		
04.006.00403	EW05SA0				
04.006.00404	EW05SAT	N.O.	8,0 bar		
04.006.00405	EW05SC0				
04.006.00407	EW08SA0	N.O.			
04.006.00408	EW08SAT				
04.006.00409	EW08SC0	N.C.			

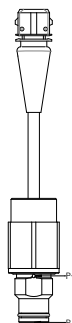
ORDER CODE	MODEL	CONN	VIEW	SETTING	ELECTRICAL SPECS.
04.006.00423	EW02JA0	N.O.	Junior Timer 2 Way	2,7 bar	<ul style="list-style-type: none"> • Max switching voltage: 48VDC • Max current: 5A resistive 2A inductive • Protection: IP67 EN60529
04.006.00424	EW02JAT				
04.006.00425	EW02JC0	N.C.	5,0 bar		
04.006.00427	EW05JA0				
04.006.00428	EW05JAT	N.O.	8,0 bar		
04.006.00429	EW05JC0				
04.006.00431	EW08JA0	N.O.			
04.006.00432	EW08JAT				
04.006.00433	EW08JC0	N.C.			


 50 / 90 Nm - See hydraulic filter catalogues

ORDERING INFORMATION / DETAILS
INDICATOR FOR APPLICATION ON SUCTION LINE

ORDER CODE	MODEL	CONN	VIEW	SETTING	ELECTRICAL SPECS.
04.006.00472	EWX2DA0	N.O.	Deutsch DT04-2P	2,7 bar	<ul style="list-style-type: none"> • Max switching voltage: 48VDC • Max current: 5A resistive 2A inductive • Protection: IP67 EN60529
04.006.00473	EWX2DAT				
04.006.00474	EWX2DC0	N.C.	5,0 bar		
04.006.00475	EWX5DA0				
04.006.00476	EWX5DAT	N.O.	8,0 bar		
04.006.00477	EWX5DC0				
04.006.00478	EWX8DA0	N.O.			
04.006.00479	EWX8DAT				
04.006.00480	EWX8DC0	N.C.			

ORDER CODE	MODEL	CONN	VIEW	SETTING	ELECTRICAL SPECS.
04.006.00463	EWX2SA0	N.O.	Superseal 1.5 2 Way	2,7 bar	<ul style="list-style-type: none"> • Max switching voltage: 48VDC • Max current: 5A resistive 2A inductive • Protection: IP67 EN60529
04.006.00464	EWX2SAT				
04.006.00465	EWX2SC0	N.C.	5,0 bar		
04.006.00466	EWX5SA0				
04.006.00467	EWX5SAT	N.O.	8,0 bar		
04.006.00468	EWX5SC0				
04.006.00469	EWX8SA0	N.O.			
04.006.00470	EWX8SAT				
04.006.00471	EWX8SC0	N.C.			

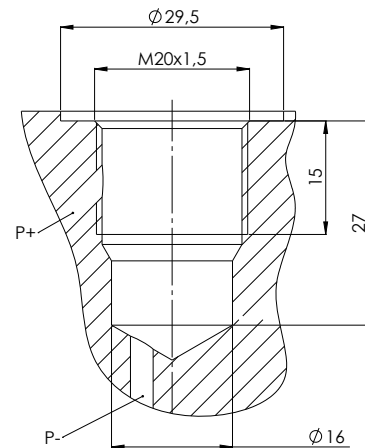
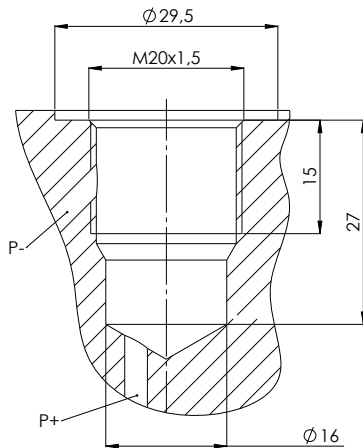
ORDER CODE	MODEL	CONN	VIEW	SETTING	ELECTRICAL SPECS.
04.006.00481	EWX2JA0	N.O.	Junior Timer 2 Way	2,7 bar	<ul style="list-style-type: none"> • Max switching voltage: 48VDC • Max current: 5A resistive 2A inductive • Protection: IP67 EN60529
04.006.00482	EWX2JAT				
04.006.00483	EWX2JC0	N.C.	5,0 bar		
04.006.00484	EWX5JA0				
04.006.00485	EWX5JAT	N.O.	8,0 bar		
04.006.00486	EWX5JC0				
04.006.00487	EWX8JA0	N.O.			
04.006.00488	EWX8JAT				
04.006.00489	EWX8JC0	N.C.			

 50 / 90 Nm - See hydraulic filter catalogues

INDICATOR SEAT

EW...

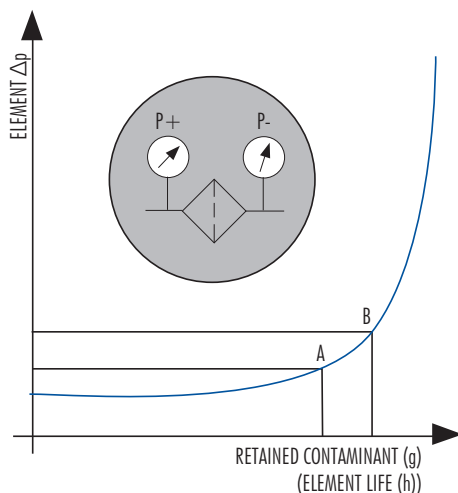
EWX...



Dimensions and tolerances available on request

USER INFORMATION

The Differential indicator measures the Δp between upstream and downstream of the filter element, i.e. it is the ideal indicator for the in line applications.



The **Pressure Drop** (Δp = differential pressure) through the filter increases during the system operation due to the contaminant retained by the filter element.

The filter element must be replaced when the indicator shows an alarm and before the Δp reaches the by-pass set value (i.e. the set value A of the clogging indicator must always be lower than the set value B of the by-pass value).

WARNING: in **cold start** conditions a false alarm can be caused by higher oil viscosity due to low temperature; the indicator alarm must be considered at normal working temperature only.

OPTIONAL VERSION

Subject to MOQ our differential indicators type EW... can be supplied in special versions like ATEX or with different connectors.

Contact our Customer Service for further information.

APPLICATION

The following table shows the type of indicator available according to the filter used.

APPLICATION	FILTER CODE	INDICATOR MODEL					
		EW02..	EW05..	EW08..	EWX2..	EWX5..	EWX8..
IN LINE HIGH PRESSURE	F100	X	X	X			
	F280		X	X			
	F420		X	X			
	FD3					X	X
	FDM					X	X
	FH100	X	X	X			
	FH250		X	X			
	FH320		X	X			
	FH420-D1		X	X			
	FML320		X	X			
IN LINE MEDIUM PRESSURE	FLR				X	X	X
	FLRD				X	X	X
	F040	X	X	X			
RETURN	FCR7F2x	X					
	FCR7F3x	X					
SPIN-ON	FAH-A14x	X					
	FA5				X		
	FA4				X		

