



EC SERIES

Electrical differential indicators with integrated connector

EC/ECX..D



EC/ECX..S



EC/ECX..J



PRESSURE: Max operating up to 420 bar

CONNECTION: M20x1,5

MATERIALS: Body: Brass
Cover and connector: PA66 + G.F.
Seal: HNBR standard

SETTINGS ΔP : 2,7 bar \pm 10%
5,0 bar \pm 10%
8,0 bar \pm 10%

ELECTRICAL SPECS.: Contact configuration N.O./N.C.

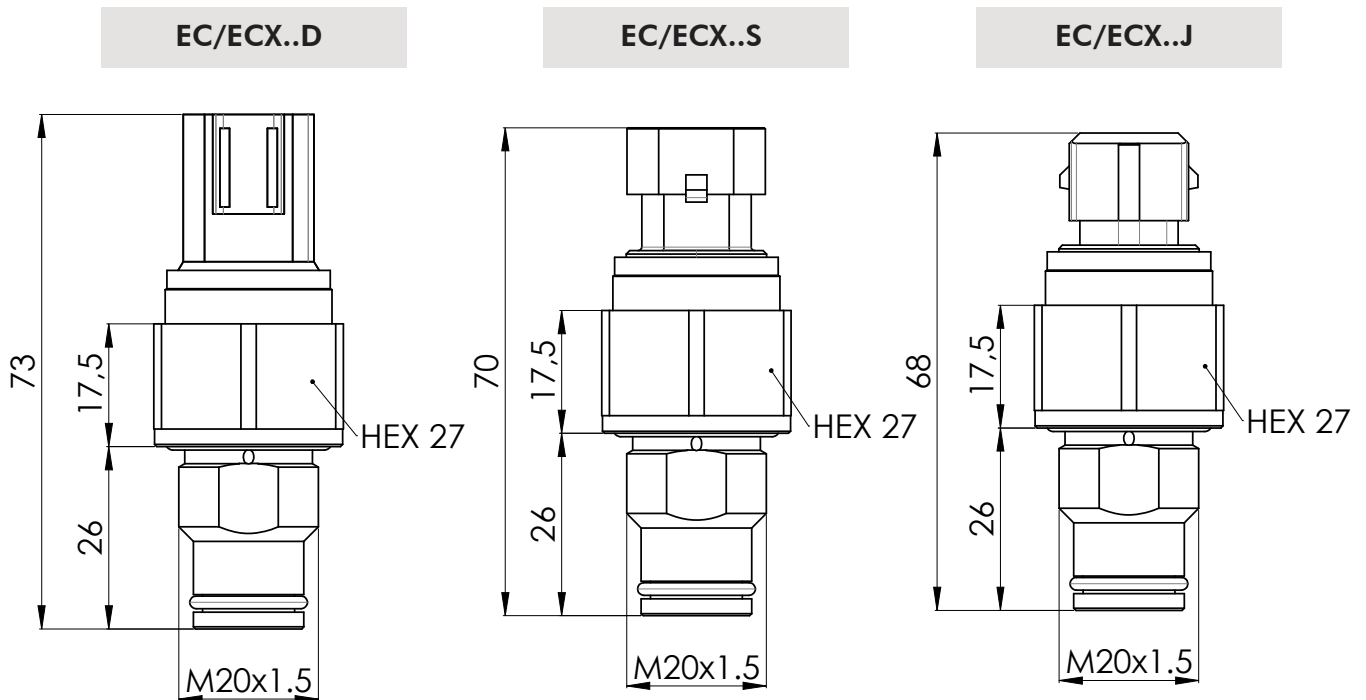
CONNECTOR TYPE: Deutsch DT04-2P
SUPERSEAL 1.5 2 WAY
JUNIOR POWER TIMER 2 WAY

DEGREE OF PROTECTION: IP67 according to EN60529

OPERATING TEMPERATURE: -30°C - + 80°C

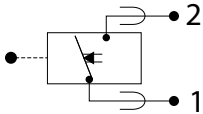
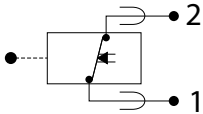
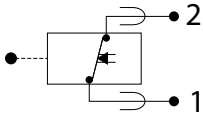
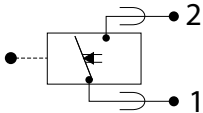
FLUID COMPATIBILITY: Full with HH-HL-HM-HV-HETG-HEES-HFA
HFB-HFC
(acc. to ISO 6743/4).
For use with other fluid please contact Filtrec
Customer Service (info@filtrec.it).

OVERALL DIMENSIONS

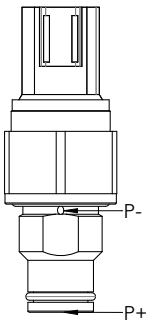
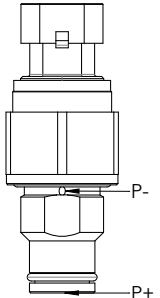
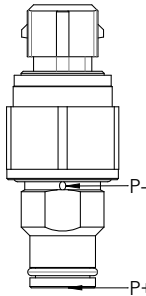



Weight: ~150g

MECHANICAL CONDITION

ΔP CONDITION	ELECTRIC SYMBOL N.O.	ELECTRIC SYMBOL N.C.
$P+ - P- < \Delta P_{set}$		
$P+ - P- \geq \Delta P_{set}$		

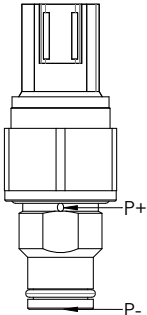
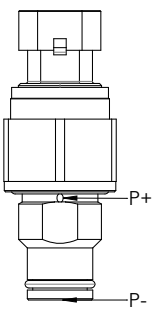
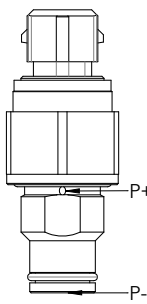
ORDERING INFORMATION / DETAILS
INDICATOR FOR APPLICATION ON SUCTION LINE


ORDER CODE	MODEL	CONN	VIEW	SETTING	ELECTRICAL SPECS.
04.006.00444	EC02DA0	N.O.		2,7 bar	<ul style="list-style-type: none"> • Max switching voltage: 48VDC • Max current: 5A resistive 2A inductive • Protection: IP67 EN60529
04.006.00446	EC02DC0	N.C.		5,0 bar	
04.006.00447	EC05DA0	N.O.		8,0 bar	
04.006.00449	EC05DC0	N.C.			
04.006.00450	EC08DA0	N.O.			
04.006.00452	EC08DC0	N.C.			
ORDER CODE	MODEL	CONN	VIEW	SETTING	ELECTRICAL SPECS.
04.006.00435	EC02SA0	N.O.		2,7 bar	<ul style="list-style-type: none"> • Max switching voltage: 48VDC • Max current: 5A resistive 2A inductive • Protection: IP67 EN60529
04.006.00437	EC02SC0	N.C.		5,0 bar	
04.006.00438	EC05SA0	N.O.		8,0 bar	
04.006.00440	EC05SC0	N.C.			
04.006.00441	EC08SA0	N.O.			
04.006.00443	EC08SC0	N.C.			
ORDER CODE	MODEL	CONN	VIEW	SETTING	ELECTRICAL SPECS.
04.006.00453	EC02JA0	N.O.		2,7 bar	<ul style="list-style-type: none"> • Max switching voltage: 48VDC • Max current: 5A resistive 2A inductive • Protection: IP67 EN60529
04.006.00455	EC02JC0	N.C.		5,0 bar	
04.006.00456	EC05JA0	N.O.		8,0 bar	
04.006.00458	EC05JC0	N.C.			
04.006.00459	EC08JA0	N.O.			
04.006.00461	EC08JC0	N.C.			

 50 / 90 Nm - See hydraulic filter catalogues

ORDERING INFORMATION / DETAILS

INDICATOR FOR APPLICATION ON SUCTION LINE

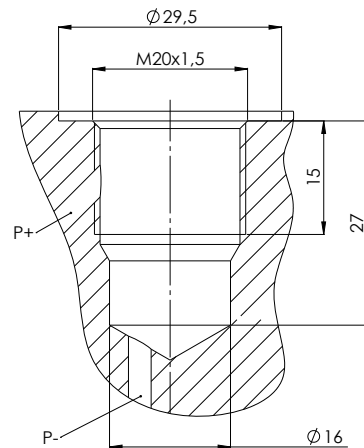
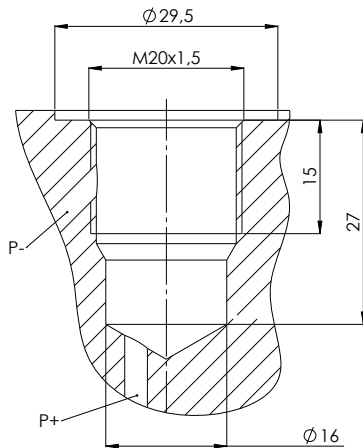
ORDER CODE	MODEL	CONN	VIEW	SETTING	ELECTRICAL SPECS.
04.006.00500	ECX2DA0	N.O.		2,7 bar	<ul style="list-style-type: none"> • Max switching voltage: 48VDC • Max current: 5A resistive 2A inductive • Protection: IP67 EN60529
04.006.00502	ECX2DC0	N.C.		5,0 bar	
04.006.00503	ECX5DA0	N.O.		8,0 bar	
04.006.00505	ECX5DC0	N.C.			
04.006.00506	ECX8DA0	N.O.			
04.006.00508	ECX8DC0	N.C.			
Deutsch DT04-2P					
ORDER CODE	MODEL	CONN	VIEW	SETTING	ELECTRICAL SPECS.
04.006.00491	ECX2SA0	N.O.		2,7 bar	<ul style="list-style-type: none"> • Max switching voltage: 48VDC • Max current: 5A resistive 2A inductive • Protection: IP67 EN60529
04.006.00493	ECX2SC0	N.C.		5,0 bar	
04.006.00494	ECX5SA0	N.O.		8,0 bar	
04.006.00496	ECX5SC0	N.C.			
04.006.00497	ECX8SA0	N.O.			
04.006.00499	ECX8SC0	N.C.			
Superseal 1.5 2 Way					
ORDER CODE	MODEL	CONN	VIEW	SETTING	ELECTRICAL SPECS.
04.006.00509	ECX2JA0	N.O.		2,7 bar	<ul style="list-style-type: none"> • Max switching voltage: 48VDC • Max current: 5A resistive 2A inductive • Protection: IP67 EN60529
04.006.00511	ECX2JC0	N.C.		5,0 bar	
04.006.00512	ECX5JA0	N.O.		8,0 bar	
04.006.00514	ECX5JC0	N.C.			
04.006.00515	ECX8JA0	N.O.			
04.006.00517	ECX8JC0	N.C.			
Junior Timer 2 Way					

 50 / 90 Nm - See hydraulic filter catalogues

INDICATOR SEAT

EC...

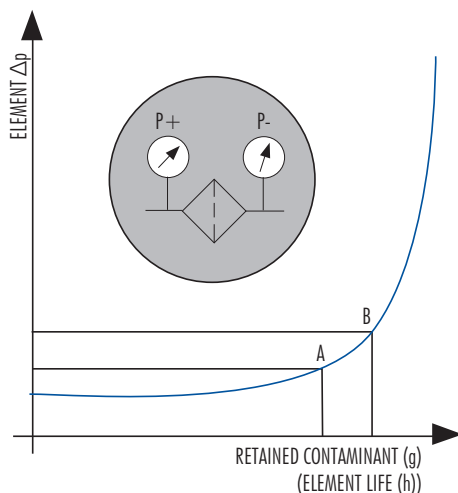
ECX...



Dimensions and tolerances available on request

USER INFORMATION

The Differential indicator measures the Δp between upstream and downstream of the filter element, i.e. it is the ideal indicator for the in line applications.



The **Pressure Drop** (Δp = differential pressure) through the filter increases during the system operation due to the contaminant retained by the filter element.

The filter element must be replaced when the indicator shows an alarm and before the Δp reaches the by-pass set value (i.e. the set value A of the clogging indicator must always be lower than the set value B of the by-pass value).

WARNING: in **cold start** conditions a false alarm can be caused by higher oil viscosity due to low temperature; the indicator alarm must be considered at normal working temperature only.

OPTIONAL VERSION

Subject to MOQ our differential indicators type EC... can be supplied in special versions like ATEX or with different connectors.

Contact our Customer Service for further information.

APPLICATION

The following table shows the type of indicator available according to the filter used.

APPLICATION	FILTER CODE	INDICATOR MODEL					
		EC02..	EC05..	EC08..	ECX2..	ECX5..	ECX8..
IN LINE HIGH PRESSURE	F100	X	X	X			
	F280		X	X			
	F420		X	X			
	FD3					X	X
	FDM					X	X
	FH100	X	X	X			
	FH250		X	X			
	FH320		X	X			
	FH420-D1		X	X			
	FML320		X	X			
IN LINE MEDIUM PRESSURE	FLR				X	X	X
	FLRD				X	X	X
	F040	X	X	X			
RETURN	FCR7F2x	X					
	FCR7F3x	X					
SPIN-ON	FAH-A14x	X					
	FA5				X		
	FA4				X		

